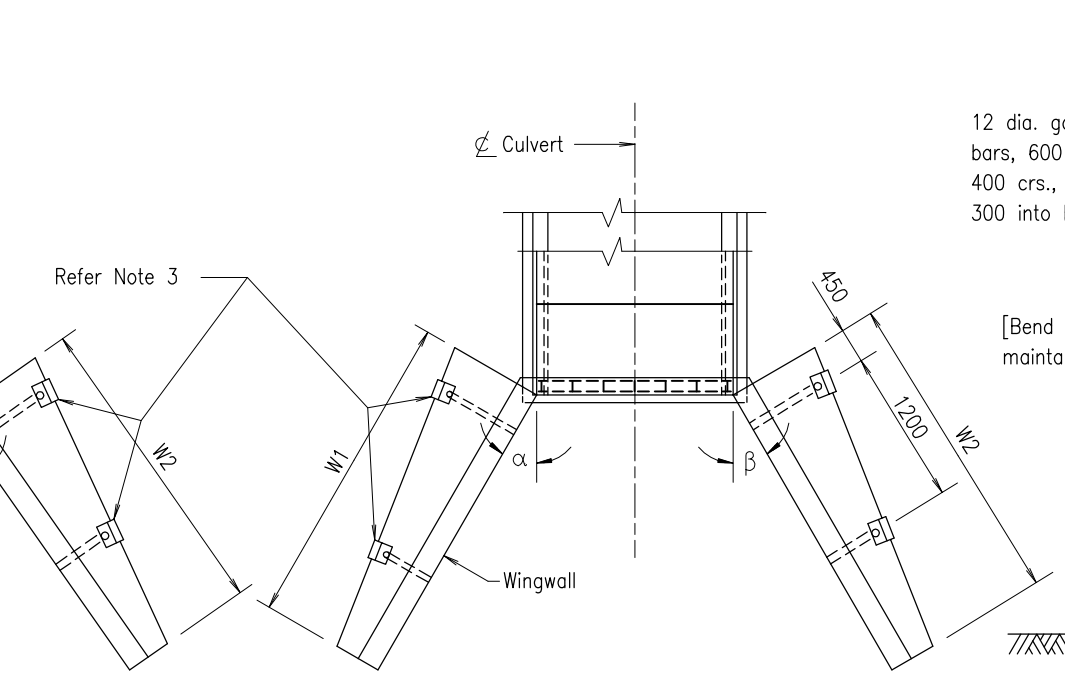
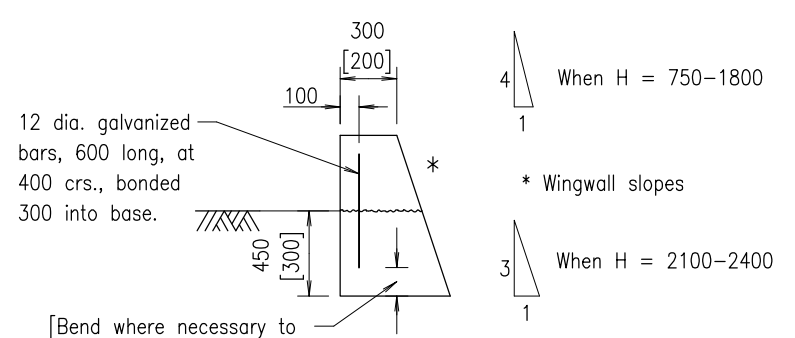


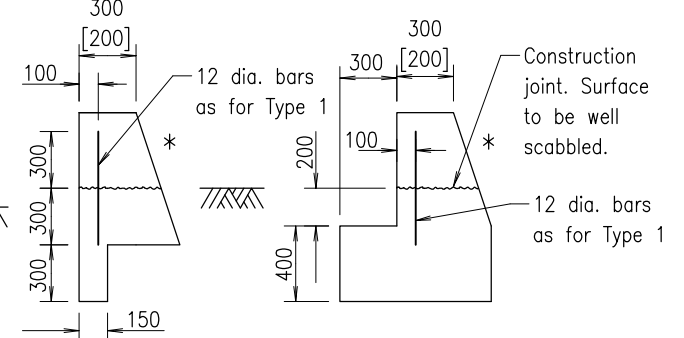
PLAN - Typical Headwall and Wings SLBC
Scale 1:100



PLAN - Typical Headwall and Wings RCBC
Scale 1:100



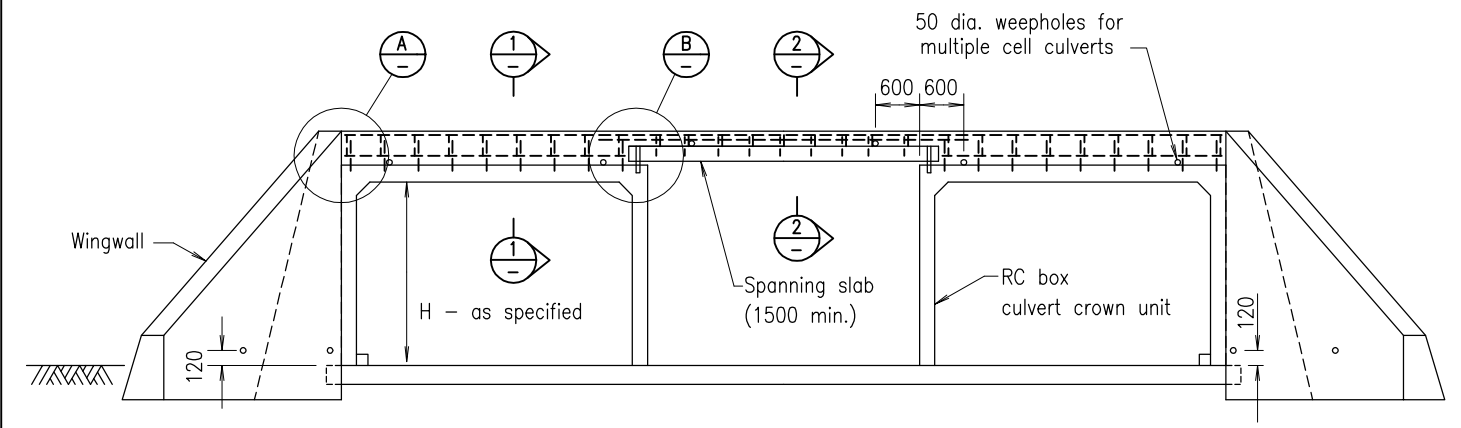
TYPE 1 Normal foundation
TYPE 3 With footing - when foundation bearing capacity < 150 kPa



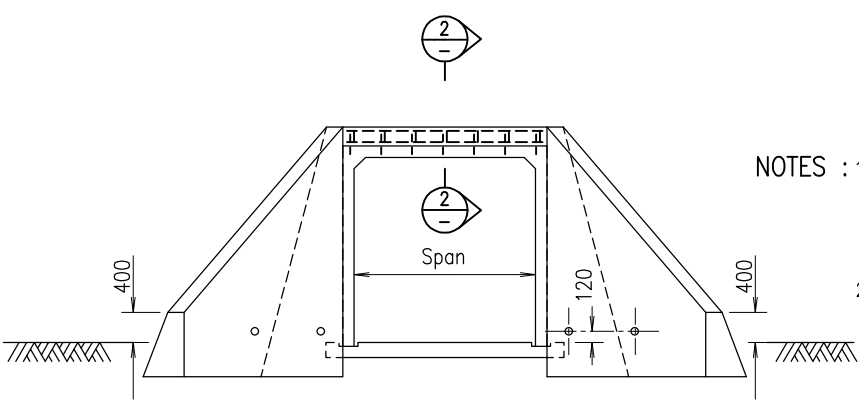
TYPE 2 With cut-off wall
TYPE 3 With footing - when foundation bearing capacity < 150 kPa

WINGWALL TYPES
Scale 1:40

Dimensions in square brackets [] are when H = 750 - 1200



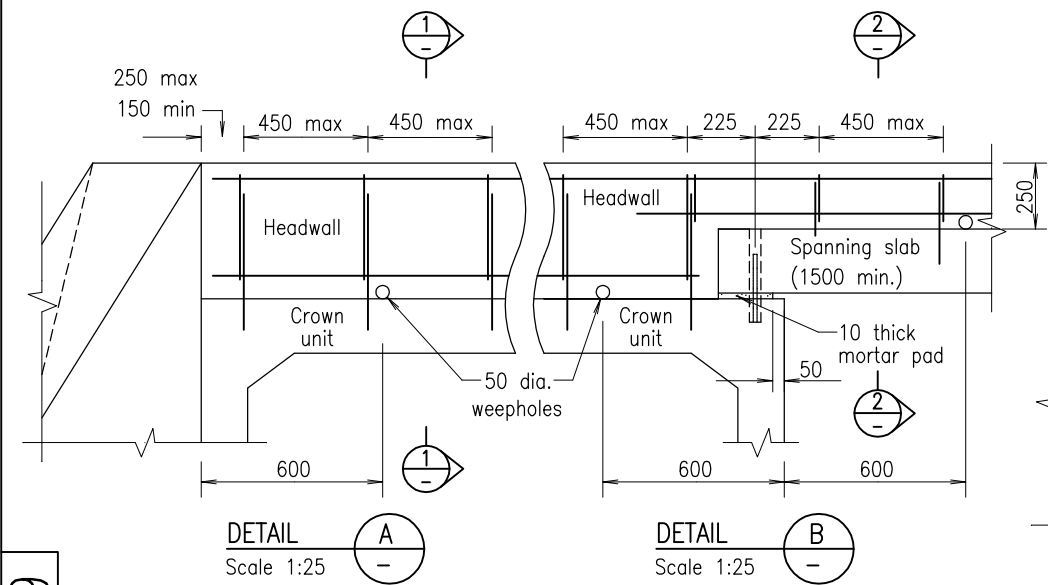
ELEVATION - Typical Headwall and Wings SLBC
For Base with Nibs
Scale 1:100



ELEVATION - Typical Headwall and Wings RCBC
For Bases with Recesses
Scale 1:100

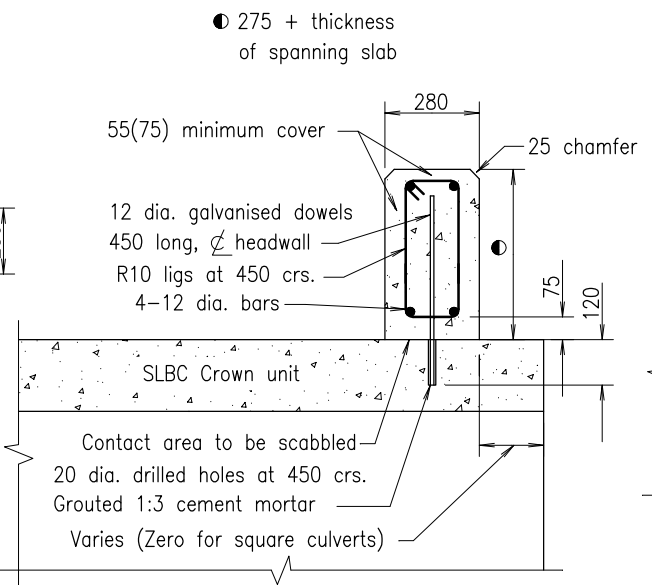
NOTES :

- CONCRETE :**
Reinforced concrete class S40/20 (S50/20).
Unreinforced concrete class N25/20.
Concrete cover to be 55(75) unless shown otherwise.
Concrete exposure classification B2.
 - STEEL :**
• Deformed bars - Grade D500N.
• Round bars - Grade R250N.
• Deformed wire - Grade D500L.
• All steel reinforcement to be ACRS certified.
• Steel reinforcement to be read in conjunction with Dwg. Nos. 1043 and 1044.
 - WEEPHOLES** of 90 dia. are to be provided at 1200 crs. in wingwalls. A 300 x 300 x 150 no fines concrete block or approved equivalent is to be provided at each weephole.
 - DETAILS TO BE SHOWN ELSEWHERE IN THE DOCUMENTS :**
Wingwall lengths W1 and W2.
Wingwall type (1, 2 or 3).
Exposure classification treatment (if required).
 - EXPOSURE CLASSIFICATIONS** - Concrete class and steel cover are shown in curved brackets () for salt-rich arid areas and tidal or splash zones (ie. exposure classification C). Specialist design advice should be obtained for aggressive soils (ie. exposure classification U).
 - DIMENSIONS** are in millimetres unless shown otherwise.
- ASSOCIATED DOCUMENTS :**
Department of Main Roads Manual of Standard Drawings Roads
Department of Main Roads Manual of Standard Specifications Roads
- REFERENCED DOCUMENTS :**
Standard Drawings :
1043 Reinforcing Steel - Standard Bar Shapes Drawings 1 of 2 and 2 of 2
1044 Reinforcing Steel - Standard Hook, Lap and Bend Details and General Steel Reinforcing Information.
1316 General Arrangement and Installation of Precast Units
Standard Specifications :
MRS11.03 Drainage, Retaining Structures and Protective Treatments
Australian Standards :
AS/NZS 4671 Steel Reinforcing Materials
AS/NZS 4680 Hot-dip Galvanized (Zinc) Coatings on Fabricated Ferrous Articles

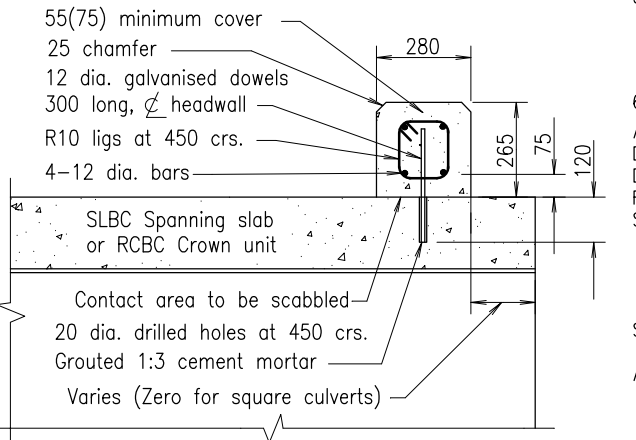


DETAIL A
Scale 1:25

DETAIL B
Scale 1:25



SECTION 1 HEADWALL
Scale 1:20



SECTION 2 HEADWALL
Scale 1:20

1319

R C BOX CULVERTS & SLAB LINK BOX CULVERTS			
CONSTRUCTION OF UNREINFORCED WINGWALLS AND RC HEADWALLS H = 750 - 2400		Size A3	Drawing No
		Scales as shown	1319
			Date 5/06
			F G H I